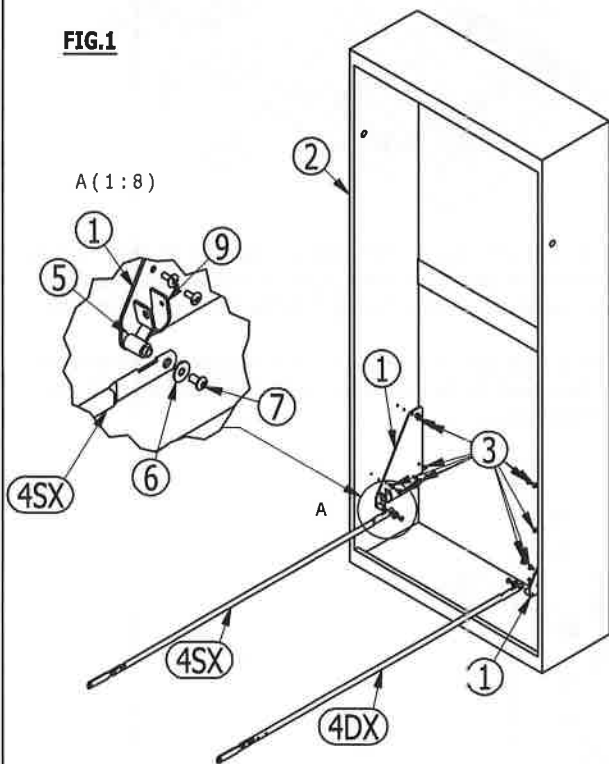


ASSEMBLY INSTRUCTION SHEET: SINGLE KOSMO WALL BED

BEWARE:

THE FOLLOWING INSTRUCTIONS DO **NOT REPLACE THE ASSEMBLY INSTRUCTIONS OF THE FURNITURE**, PROVIDED BY THE FURNITURE MANUFACTURER. BEFORE ANY ASSEMBLING OF THE BED MOVEMENT SYSTEM, THE CABINET (2) **MUST BE FIXED TO THE WALL IN SUCH A WAY AS TO ADEQUATELY RESIST PRESSURE**. FOR THE EXECUTION OF THE FIXING OF THE BODY IT IS NECESSARY TO REFER TO THE INSTRUCTIONS PROVIDED BY THE FURNITURE MANUFACTURER. IT IS RECOMMENDED, IN ANY CASE, TO HAVE THE FIXING CARRIED OUT BY AN EXPERT INSTALLER. THE FOLLOWING ILLUSTRATIONS AND DESCRIPTIONS REFER EXCLUSIVELY TO THE ASSEMBLY AND OPENING/CLOSING OF THE MOVEMENT SYSTEM, NOT TO THE ASSEMBLY OF THE CABINET, WHICH IS THE RESPONSIBILITY OF THE FURNITURE MANUFACTURER; IF THE PROCEDURE FOR INSTALLING THE MOVEMENT SYSTEM DIFFERS FROM THAT INDICATED, IT WILL BE THE RESPONSIBILITY OF THE FURNITURE MANUFACTURER TO PROVIDE APPROPRIATE INSTRUCTIONS. FOR CORRECT USE AND OPERATION OF THE SYSTEM, THE CABINET MUST BE FULLY ALIGNED WITH THE WALL AND PERPENDICULAR TO THE FLOOR. THE RESPONSIBILITY OF THE CORRECT FIXING IS NOT THE RESPONSIBILITY OF THE MANUFACTURER OF THE MECHANISM, SINCE THE FIXING METHOD ARE CONDITIONED BY THE CHARACTERISTICS OF THE WALL AND THE CHARACTERISTICS OF THE CABINET IN ITS FINAL CONFIGURATION, WHICH ARE NOT KNOWN TO THE MANUFACTURER OF THE MECHANISM. THE IMAGES THAT FOLLOW ARE PURELY INDICATIVE AND REFER TO AN APPLICATION IN A REFERENCE FURNITURE C.D. STANDARD, AND REPRODUCE A CONFIGURATION OF THE CABINET AND THE SYSTEM THAT CAN BE MODIFIED BY THE MANUFACTURER OF THE FURNITURE.

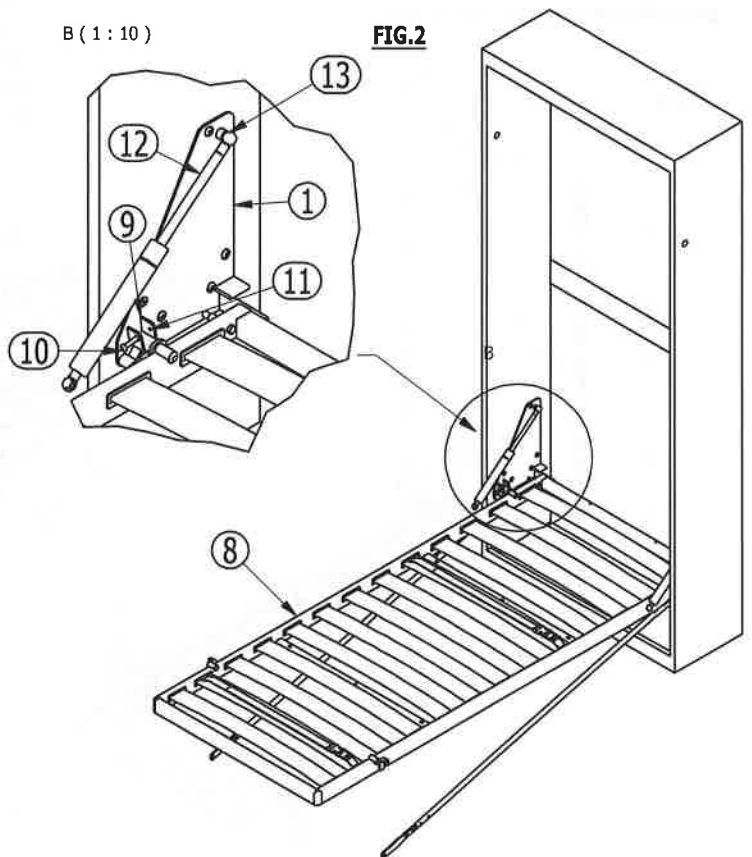
FIG.1



A) Fix the metal plates (1) to the right and left side of the cabinet (2) with zinc-coated M6x16 TBL screws (3).

B) Install one transmission lever (4SX-4DX): fix it to the corresponding pivot (5) welded on the plate (1) using a \varnothing 8x24 washer and a M8x16 TBEI screw (7). Follow the same procedure for both levers.

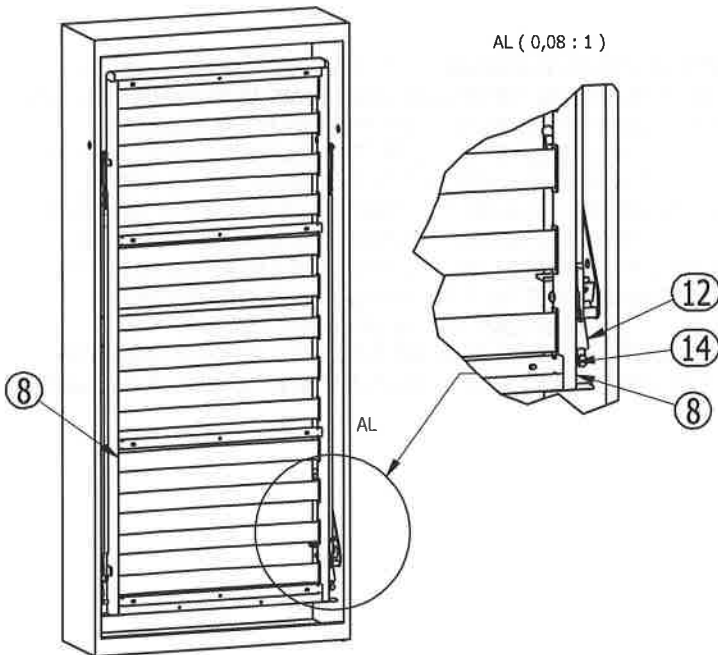
FIG.2



C) **Remove the safety installed on the gas spring end before mounting.** Insert the gas springs on both sides (12) on the pin (13) of the plate (1). Leave the chamber side (thicker side) of the gas spring pointing downwards. Insert the hook to block the spherical pivot on the head of the gas spring.

ASSEMBLY INSTRUCTION SHEET: SINGLE KOSMO WALL BED

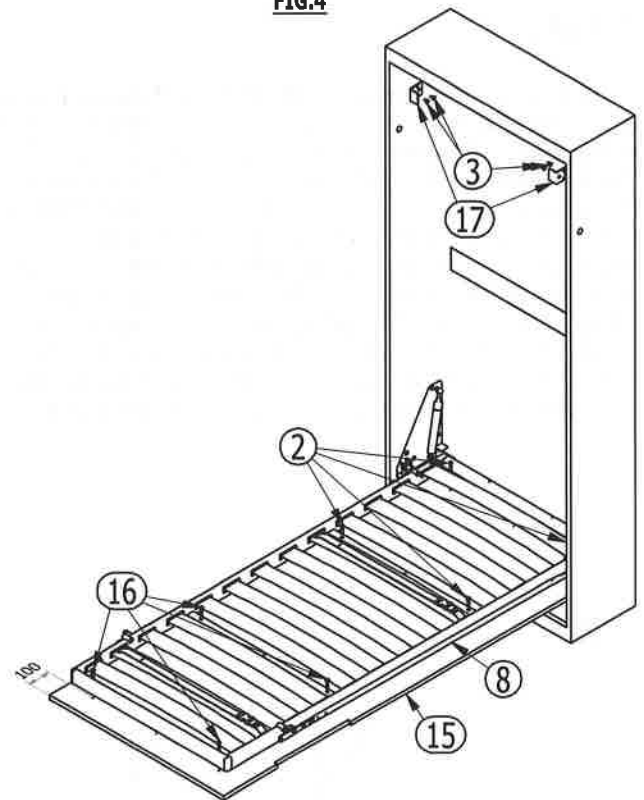
FIG.3



D) Remove the safety assembled on the gas spring head. Before mounting raise up the bed base (8) positioning it so that the 2 gas springs (12) can be attached in the correspondence of the relevant spherical pins of the attack (14) present on the bed base. Insert the safety hook to block the pin inside the gas spring head.

Attention: after setting the gas springs, bed base will be subject to closing force generated by their strength.

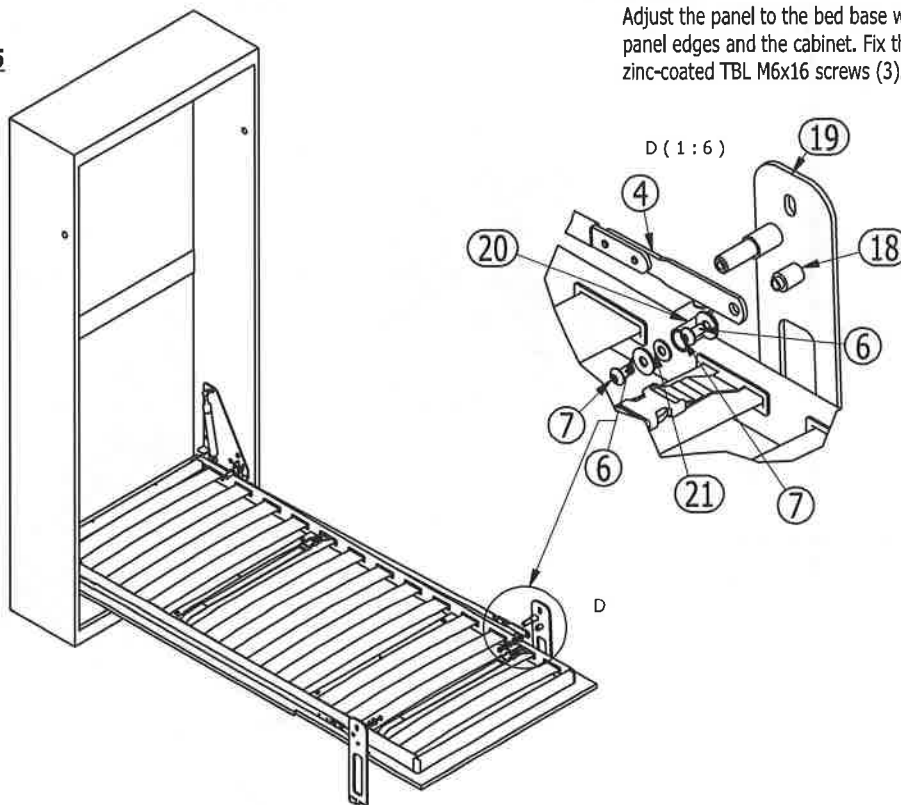
FIG.4



E) Open the bed base (8) and place the front panel (15) under the bed base. Fix it with the screws delivered by the cabinet (16) manufacturer in the right holes. Please pay attention that the holes at 100 mm from the edge MUST be on the upper part of the bed base.

Adjust the panel to the bed base while keeping a uniform distance between the front panel edges and the cabinet. Fix the two L-brackets (17) (front-panel stoppers) using zinc-coated TBL M6x16 screws (3).

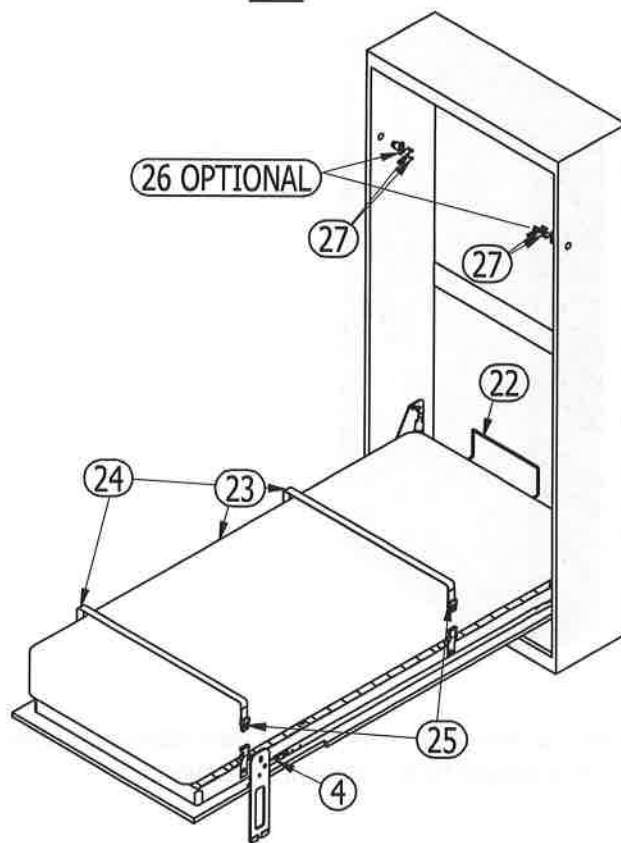
FIG.5



F) Now fix the transmission levers (4) in the appropriate pivots (18) welded on the bed feet (19) using a $\varnothing 8 \times 24$ washer (6) and a M8x16 TBEI screw (7). Insert the two bed feet (19) in the appropriate hole, on the bed base side (20) and fix them using a $\varnothing 20$ TEFLON washer (21) and a $\varnothing 8 \times 24$ iron washer (6) with the M8x16 TBEI screw (7).

ASSEMBLY INSTRUCTION SHEET: SINGLE KOSMO WALL BED

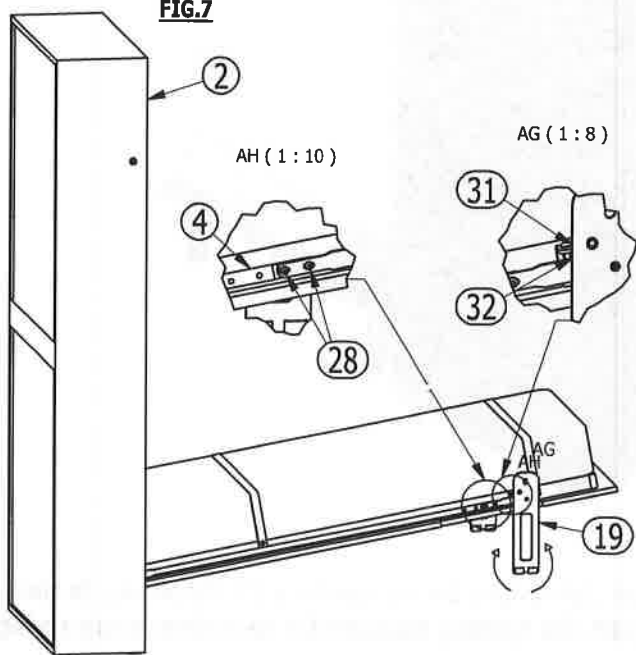
FIG.6



G) Insert the mattress stoppers (22) in the specific holes available on the bed base, then lean the mattress (23) -that must have a height between 18 cm and 20 cm-. Hook the belts (24) using the buckles (25) and adjust their length.

M) Install the optional locks (26) using the right screws (27) **supplied by the cabinet manufacturer**. Other closing devices must be accompanied from the relative assembling instructions, carried out by the furniture manufacturer.

FIG.7



I) Open the bed base and check the length of the transmission lever (30). If necessary, adjust its length by loosening the M6x8 screws (28) and rotate the foot (19) until it reaches an upright position.

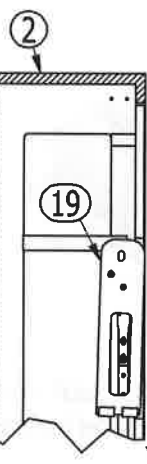


FIG.7.1

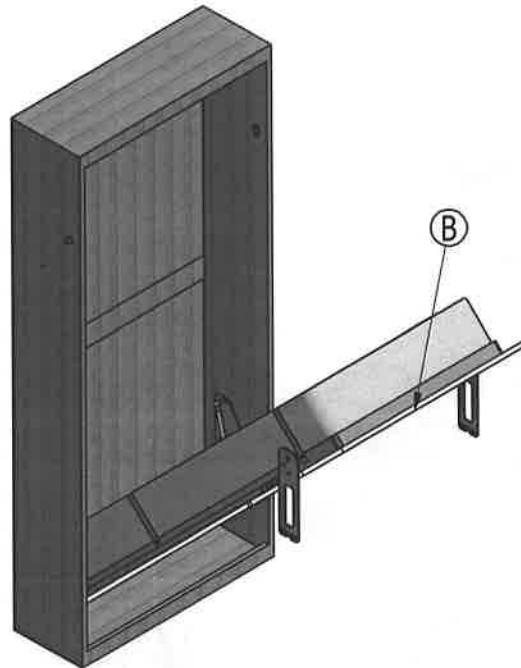
L) Close the bed base and check the position of the bed foot (19). If necessary, adjust it until it is flush with the front panel of the cabinet (2). To adjust it, lift or lower the M8x16 screw (31), then block it with the M8 lock nut (32).

M) For a correct use, the bed foot must go slightly inside the cabinet: in this way, when you close the bed, the bed foot will be slightly pushed forward by the lock screw of the bed base until it is flush with the front panel. If this does not take place, adjust the screw until the bed foot reaches the correct position.

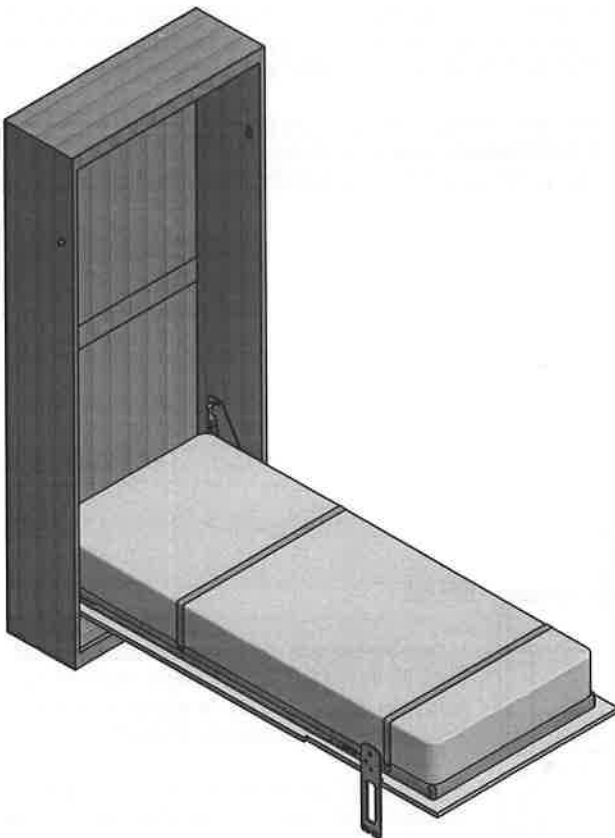
HOW TO OPEN THE SINGLE KOSMO BED BASE



1) Open the front panel until it reaches the position No. 2 using the handle supplied by the cabinet manufacturer.



2) Push slightly down the bed base from B to the ground. **In the last part, the opening movement is controlled by gas springs.**



3) Now the bed base is completely open and ready to be used. To close it, lift the bed base to the point B; then push slightly the panel towards the cabinet to close completely the bed.