

ASSEMBLY INSTRUCTION SHEET: DOUBLE KOSMO WALL BED

BEWARE:

THE FOLLOWING ASSEMBLING INSTRUCTIONS DON'T REPLACCE THOSE OF THE FURNITURE, FURNISHED BY THE MANUFACTURER. BEFORE DOING ANY KING OF ASSEMBLY OPERATION OF THE BED SYSTEM, IT IS COMPULSORY THAT THE CABINET (2) MUST BE FIXED TO THE WALL IN ORDER TO WITHSTAND THE STRESSES ADEQUATELY. AS REGARDS THE FIXING OF THE CABINET YOU HAVE TO MAKE REFERENCE TO THE INSTRUCTION SHEET SUPPLIED BY THE CABINET'S SUPPLIER. THE FIXING MUST BE PERFORMED BY AN EXPERIENCED TECHNICIAN.

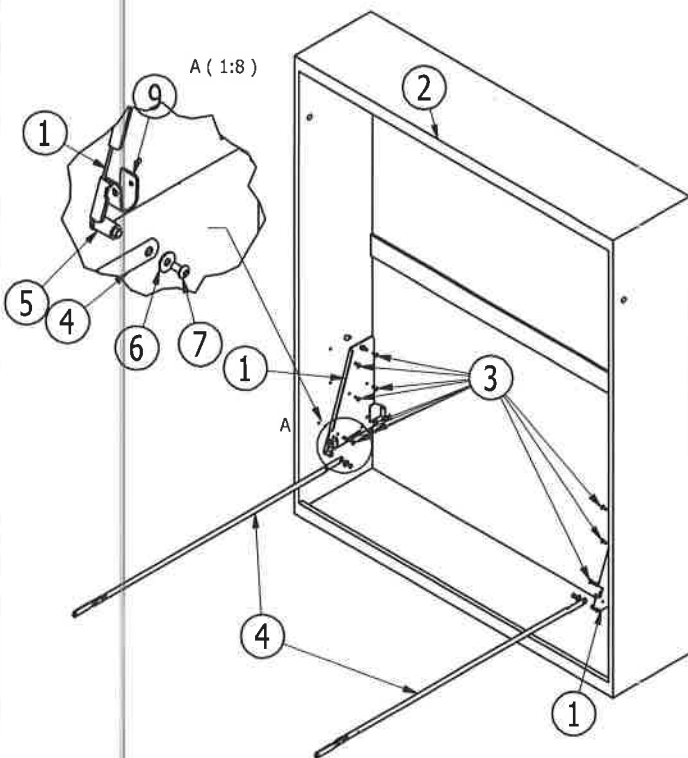
THE FOLLOWING ILLUSTRATIONS AND INTERTITLES REFER EXCLUSIVELY TO THE ASSEMBLY OPERATION AND TO THE OPENING/CLOSING OF THE MOVEMENT SYSTEM, NOT TO THE ASSEMBLY OF THE CABINET, WHICH IS OF COMPETENCE OF THE FURNITURE MANUFACTURER IF THE PROCESS FOR THE KINEMATC SYSTEM INSTALLATION WOULD BE DIFFERENT FORM THE ONE ALREADY INDICATED, THE FURNITURE MANUFACTURER WILL FURNISH THE CORRECT ASSEMBLING INSTRUCTIONS.

THE CABINET MUST BE PERFECTLY ALIGNED TO THE WALL AND BE PERPENDICULAR TO THE FLOOR.

THE CORRECT KINEMATIC SYSTEM INSTALLATION IS NOT A RESPONSIBILITY OF THE BUILDER , BECAUSE INSTALLATION PROCESS DEPENDS BY THE PROPERTIES OF THE WALL AND BY THE CHARACTERISTICS OF THE ASSEMBLED FURNITURE. THE KINEMATC SYSTEM BUILDER DOESN'T HAVE THESE INFORMATION .

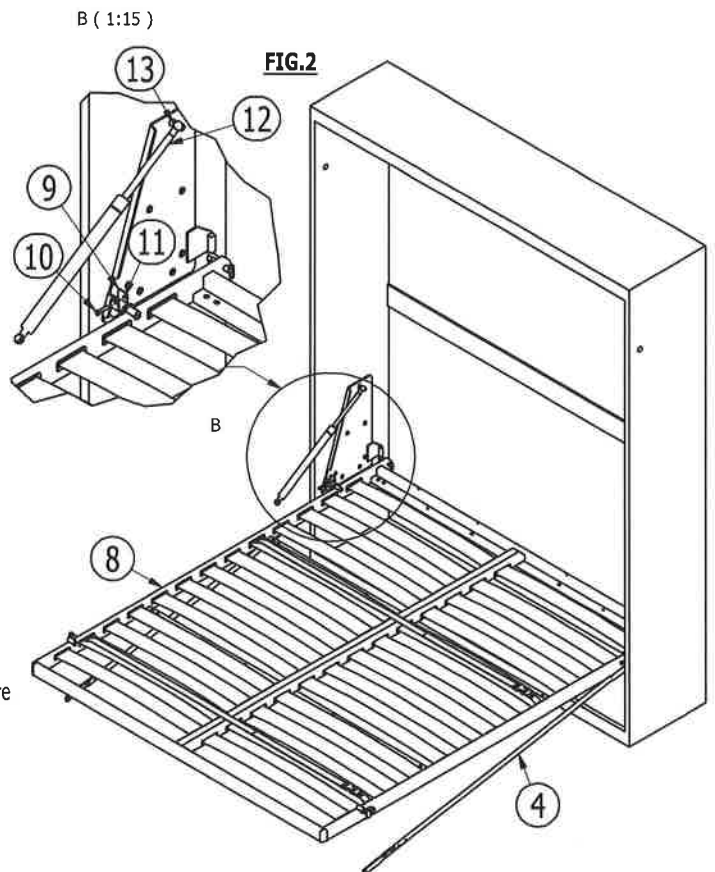
THE FOLLOWING PICTURES ARE PURELY AN INDICATION AND REFER TO AN APPLICATION IN A STANDARD FURNITURE .THEY REPRODUCE A CONFIGURATION OF THE CABINET AND OF THE SYSTEM THAT CAN BE MODIFIED BY THE FURNITURE MANUFACTURER.

FIG.1



A) Fix the metal plates (1) to the right and left side of the cabinet (2) with zinc-coated M6x16 TBL screws (3).

B) Install one transmission lever (4); fix it to the corresponding pivot (5) welded on the plate (1) using a $\varnothing 8 \times 24$ washer and a M8x16 TBEI screw (7). Follow the same procedure for both levers.



C) Insert the bed base (8) in the appropriate seat foreseen on both plates (9), then tighten the 2 M6x30 TBEI safety screws (10) in the appropriate hole of the plate (11).

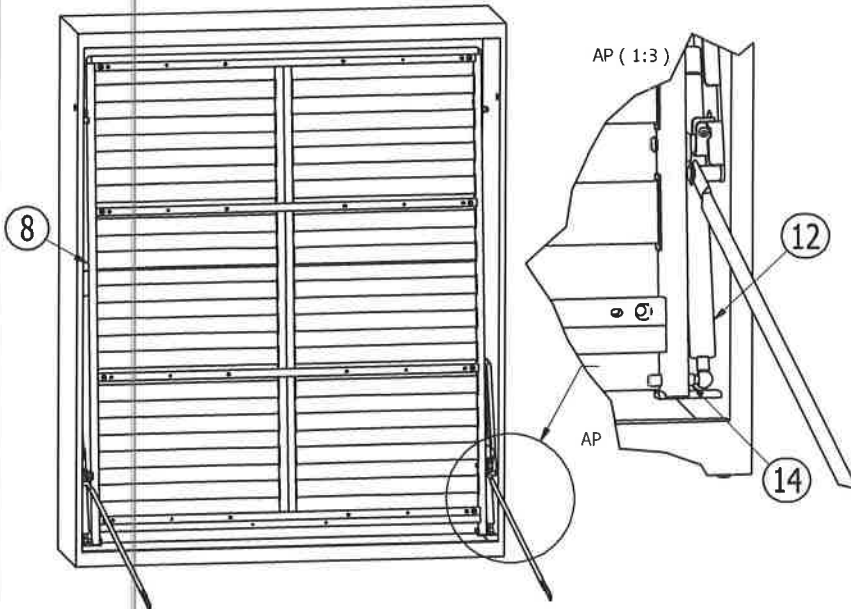
Lean temporarily on the floor the two transmission levers (4).

Fix the rod side of the gas spring (12) to the pivot (13) of the right and left plate (1) while leaving the chamber side (thicker side) of the gas spring pointed downwards.

Insert the little safety hook to block the ball pivot within the angle joint of the gas spring.

ASSEMBLY INSTRUCTION SHEET: DOUBLE KOSMO WALL BED

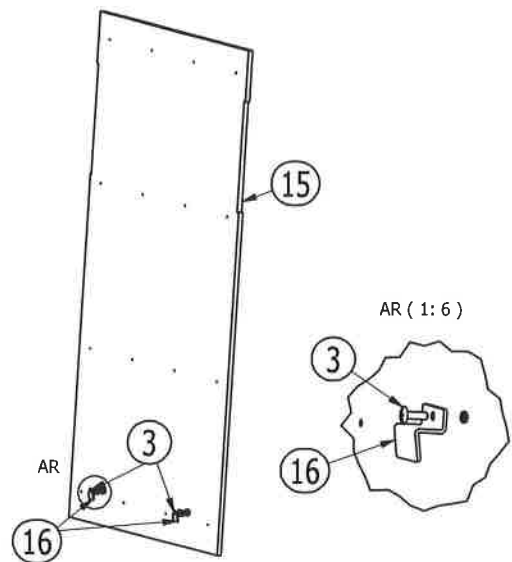
FIG.3



D) Lift the bed base (8) and place it in such a way that the 2 gas springs (12) can be fixed to the coupling pivots of the bed base (14). Reinsert the little safety hook to block the ball pivot within the angle joint of the gas spring.

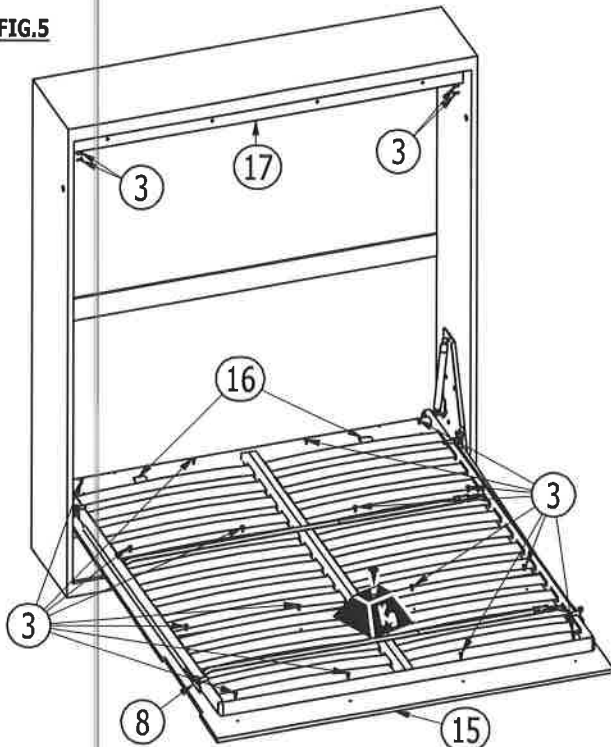
Attention: now the bed base is subjected to the power of gas springs!

FIG.4



E) Fix on the lower part of the front panel (15) the two Z brackets (16) with M6x16 TBL screws in the highlighted holes.

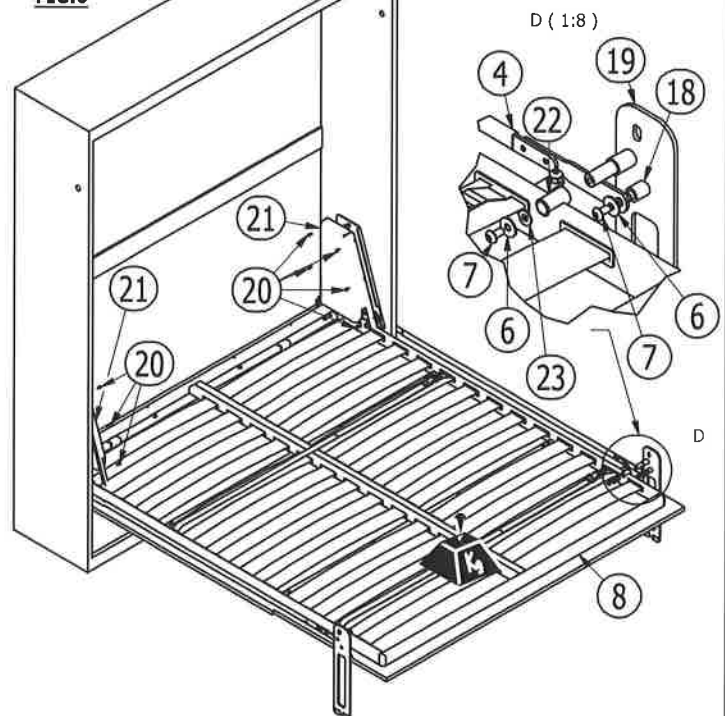
FIG.5



F) Open the bed base (8) and place the front panel (15) under the bed base. Hook the front panel with the z-brackets (16) to the crossbar of the bed base. Then fix the panel with the screws **supplied by the cabinet manufacturer** (3) in the appropriate holes.

Adjust the panel to the bed base while keeping a uniform distance between the front panel edges and the cabinet. Fix the crossbar (17) (front-panel stopper and cabinet support) using zinc-coated M6x16 TBL screws (3).

FIG.6

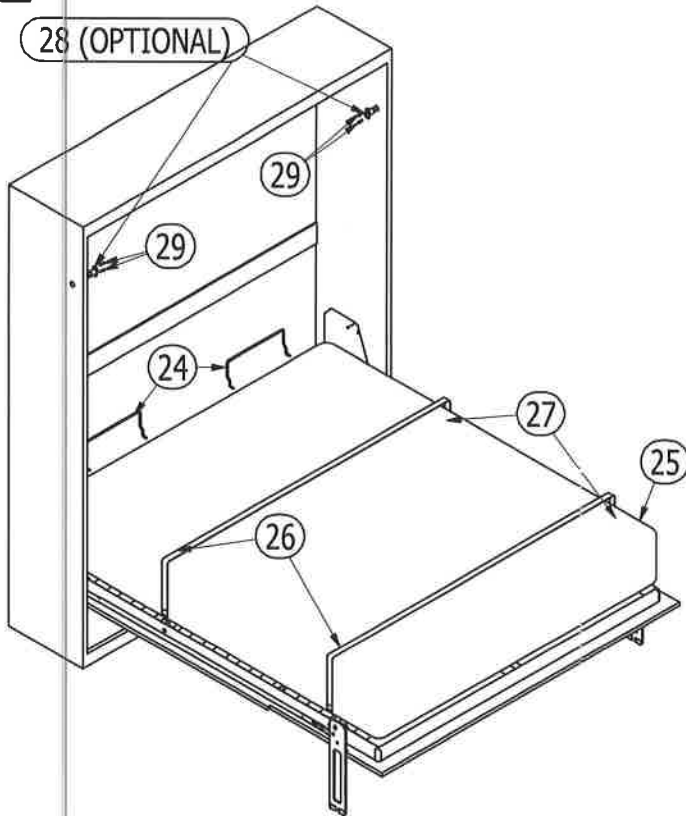


G) Install the safety covers (20): lean them on the metal plates (1), then fix them with 4,8x16 TCR self-tapping screws (21).

Now, fix the transmission levers (4) in the appropriate pivots (18) welded on the bed feet (19) using a Ø 8x24 washer (6) and a M8x16 TBEI screw (7). Insert the two bed feet (19) in the right hole, on the bed base side (22), and fix them using a Ø 8x19 polypropylene (PTFE) washer (23) and a Ø 8x24 iron washer (6) with a M8x16 TBEI screw (7).

ASSEMBLY INSTRUCTION SHEET: DOUBLE KOSMO WALL BED

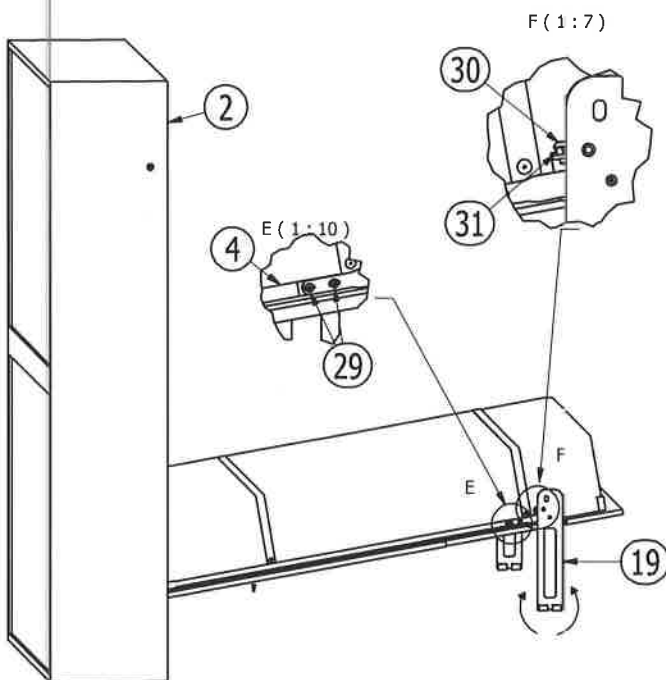
FIG.7



H) Insert the mattress stoppers (24) in the appropriate holes available on the bed base, then lean the mattress (25) -that must have a height between 18 cm and 23 cm-. Hook the belts (26) using the buckles (27) and adjust their length.

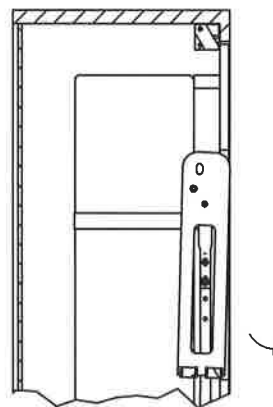
I) Install the **optional** locks (28) using the right screws (29) **supplied by the cabinet manufacturer**. Other closing devices must be accompanied from the relative assembling instructions, carried out by the furniture manufacturer.

FIG.8



L) Open the bed base and check the length of the transmission lever (4). If necessary, adjust its length by loosening the M6x8 screws (29) and rotate the foot (19) until it reaches an upright position.

FIG.8.1

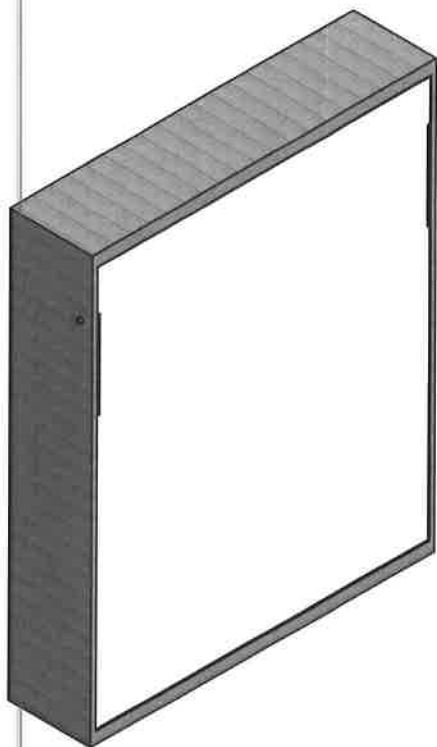


M) Close the bed base and check the position of the bed foot (19). If necessary, adjust it until it is flush with the front panel of the cabinet (2). To adjust it, lift or lower the M8x16 screw (30), then block it with the M8 lock nut (31).

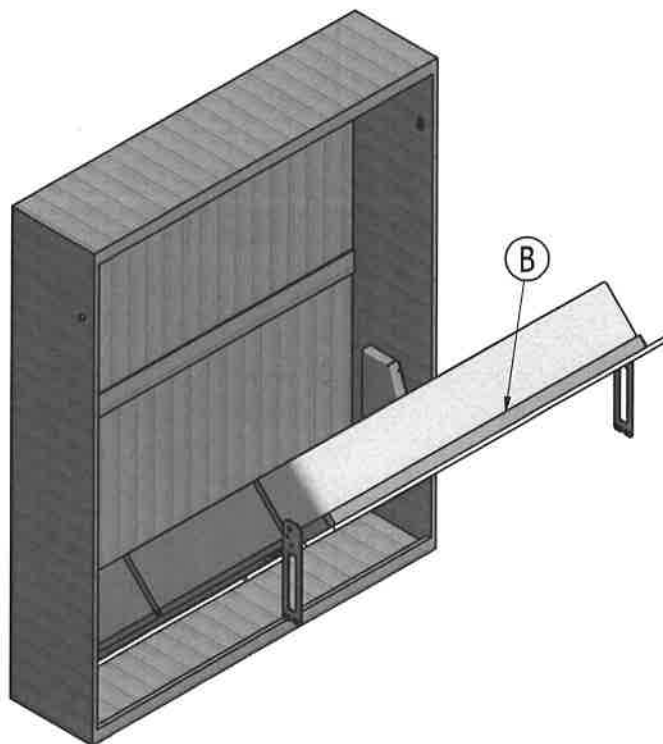
N) For a correct use, the bed foot must go slightly inside the cabinet: in this way, when you close the bed, the bed foot will be slightly pushed forward by the lock screw of the bed base until it is flush with the front panel. If this does not take place, adjust the screw until the bed foot reaches the correct position.

1875
1876
1877
1878
1879
1880
1881
1882
1883
1884
1885
1886
1887
1888
1889
1890
1891
1892
1893
1894
1895
1896
1897
1898
1899
1900

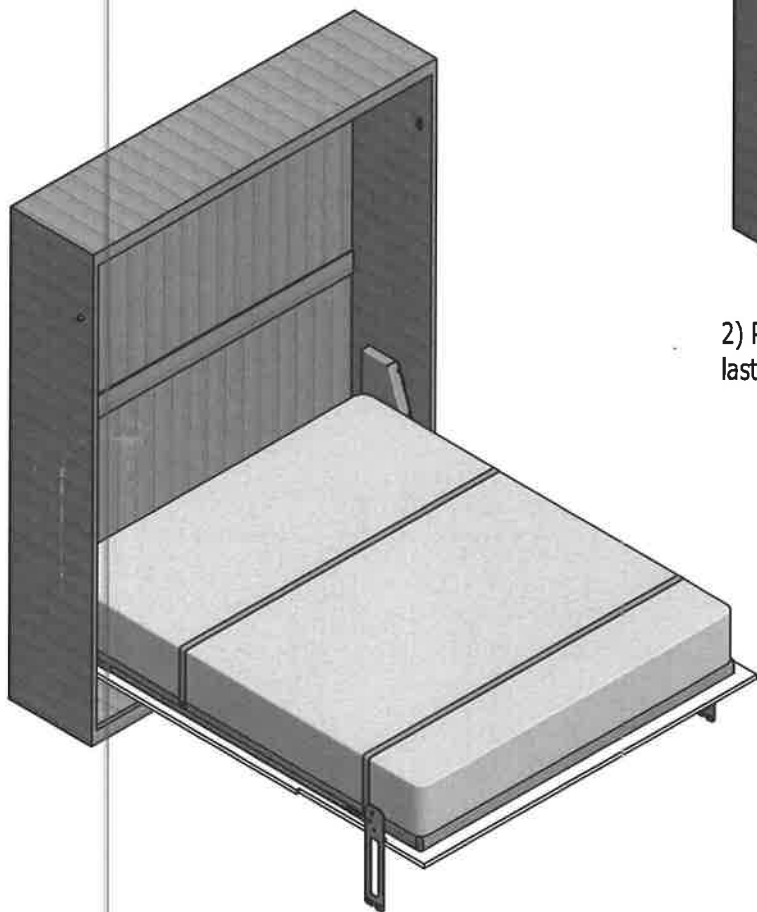
HOW TO OPEN THE KOSMO BED BASE



1) Open the front panel until it reaches the position No. 2 using the handle supplied by the cabinet manufacturer.



2) Push slightly down the bed base from B to the ground. In the last part, the opening movement is controlled by gas springs.



3) Now the bed base is completely open and ready to be used. To close it, lift the bed base to the point B; then push slightly the panel towards the cabinet to close completely the bed.

